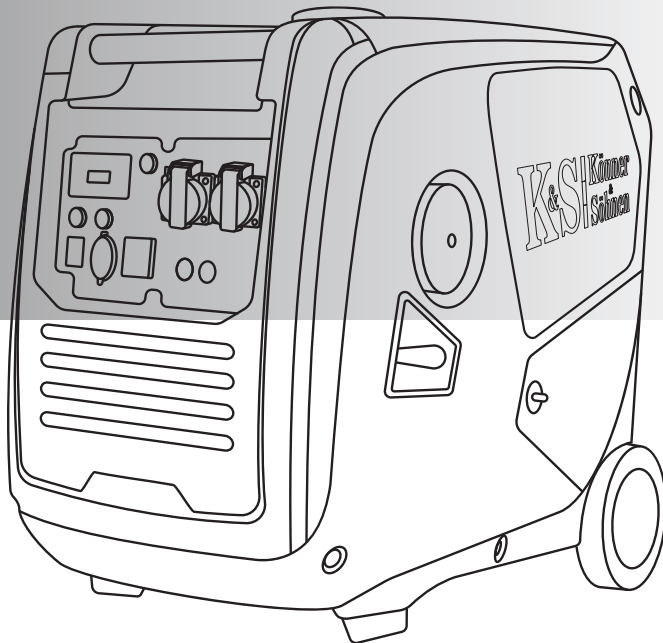


INVERTER GENERATOR

EXPLODED VIEW

KS 4000iE S

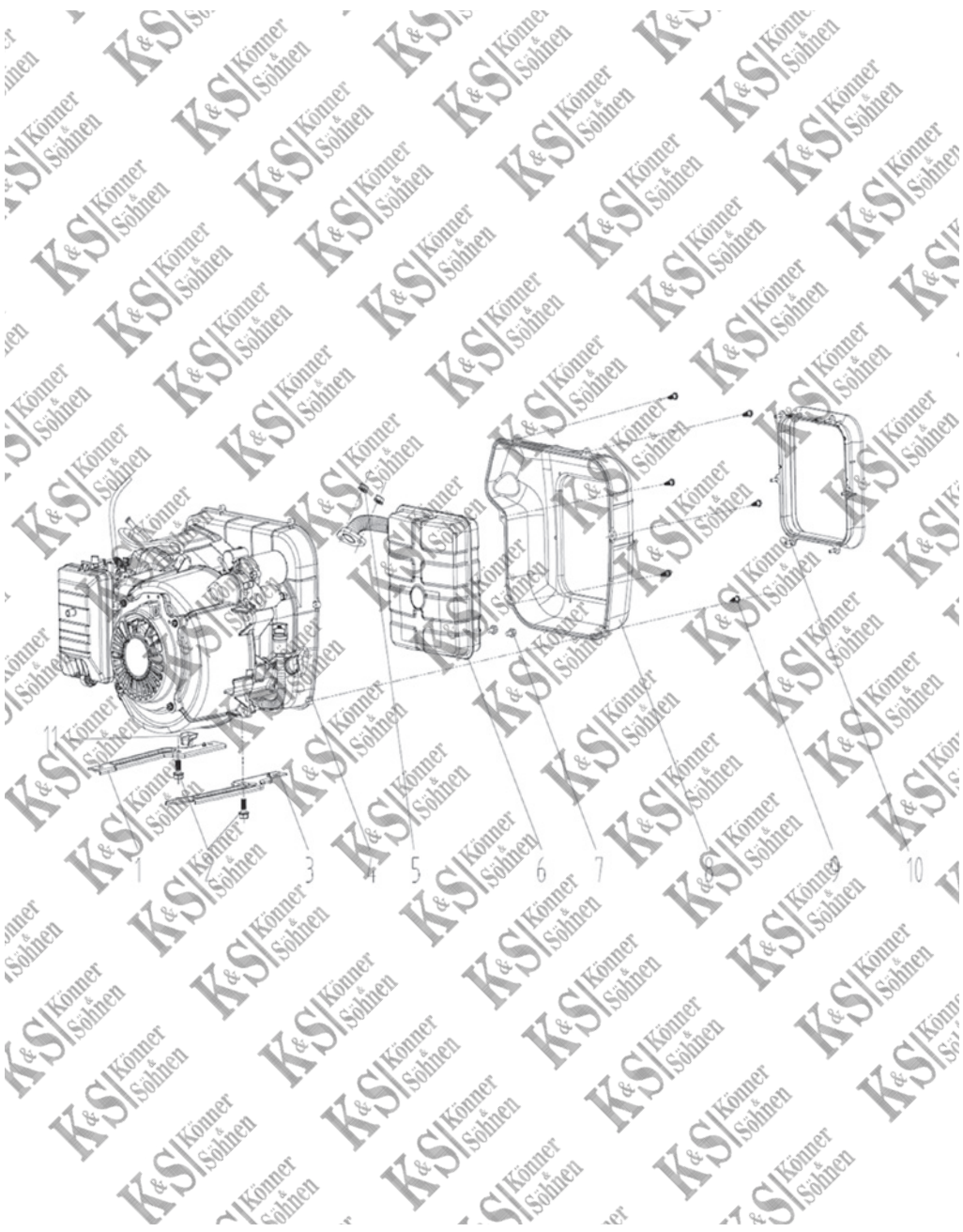


TRADITIONELLE DEUTSCHE QUALITÄT

CONTENTS

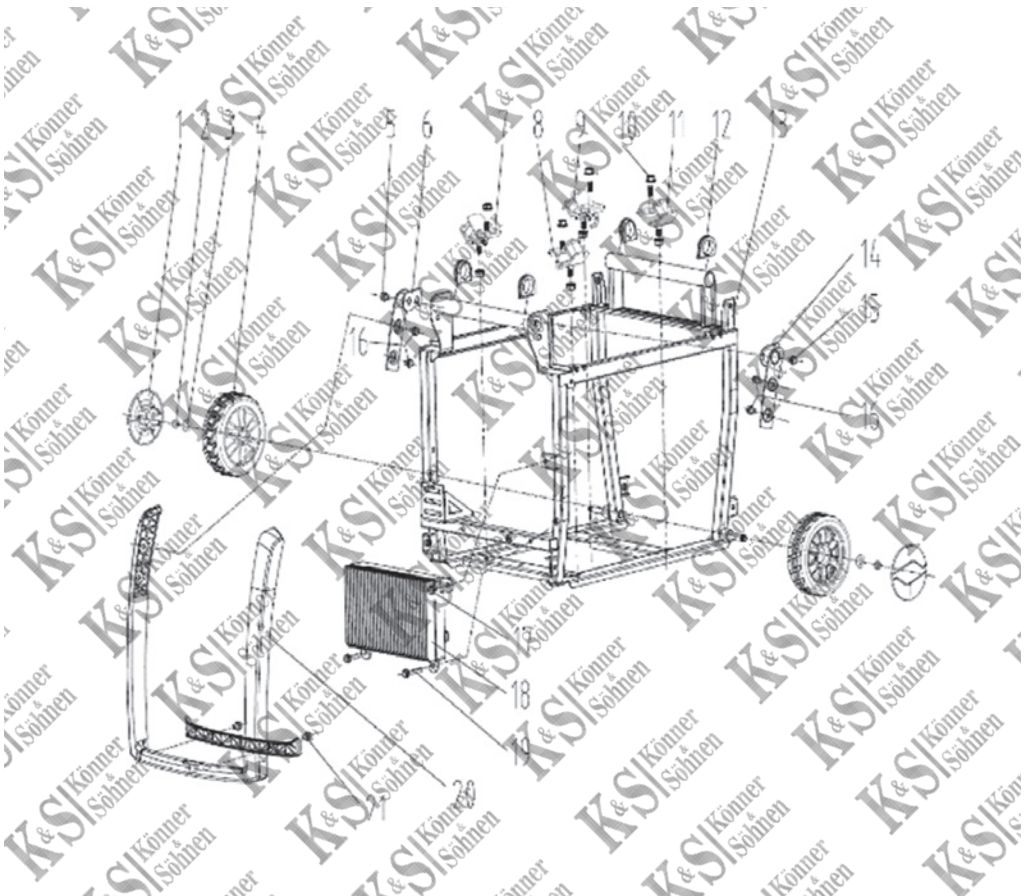
1. Engine	2
2. Frame assy	4
3. ////////////////	6
4. Oil tank assy	7
5. Ornament shell	8
6. Battery assy	11
7. Tools	12
8. Cylinder head	13
9. Crank case	15
10. Crank case cover	17
11. Crankshaft/piston	18
12. Gas distribution adjustment	20
13. Starter subassembly and flywheel.....	21
14. Muffler.....	22
15. Carburetor.....	23
16. Air cleaner.....	24

1. ENGINE



No	REF. No	DESCRIPTION	QTY
1	KS 4000iE S -1-01	Fixing holder,Engine	1
2	KS 4000iE S -1-02	Hexagonal flange bolt	2
3	KS 4000iE S -1-03	Fixing holder,Engine	1
4	KS 4000iE S -1-04	Engine assy.	1
5	KS 4000iE S -1-05	Hexagonal nut	2
6	KS 4000iE S -1-06	Muffler assy.	1
7	KS 4000iE S -1-07	Hexagonal flange bolt	2
8	KS 4000iE S -1-08	Muffler tail cover	1
9	KS 4000iE S -1-09	Cross recessed pan head self threading screw	6
10	KS 4000iE S -1-10	Air guide sleeve,Muffler	1
11	KS 4000iE S -1-11	Baffle	1

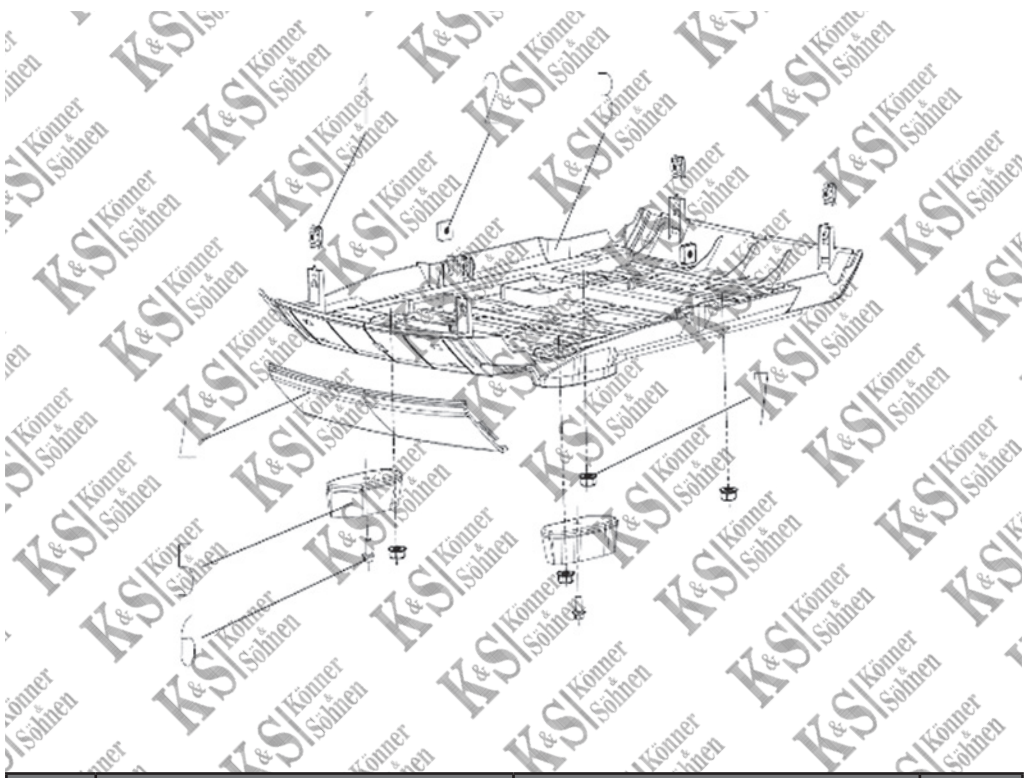
2. FRAME ASSY



No	REF. No	DESCRIPTION	QTY
1	KS 4000iE S -2-01	Ornament shell	2
2	KS 4000iE S -2-02	Steel Hexagonal lock nut	2
3	KS 4000iE S -2-03	Gasket-grade C	2
4	KS 4000iE S -2-04	Wheel assy	2
5	KS 4000iE S -2-05	Hexagonalal step bolt	1

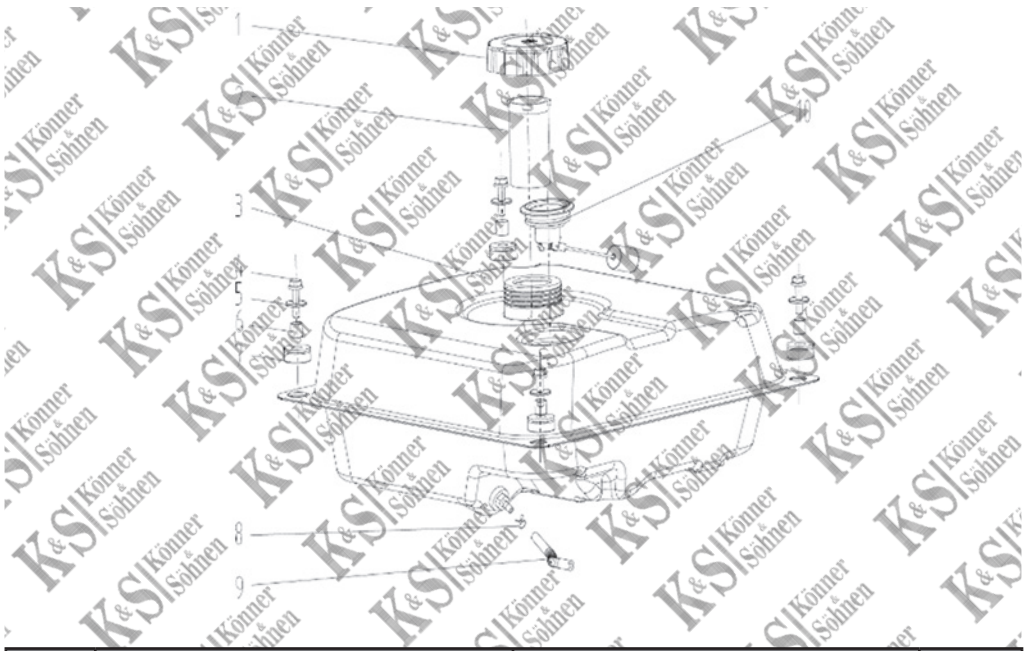
No	REF. No	DESCRIPTION	QTY
6	KS 4000iE S -2-06	Handle hose connecter	1
7	KS 4000iE S -2-07	Left shock pad assy.	1
8	KS 4000iE S -2-08	Right shock pad assy.	1
9	KS 4000iE S -2-09	Left shock pad assy.	1
10	KS 4000iE S -2-10	Hexagonal flange nut	4
11	KS 4000iE S -2-11	Right shock pad assy.	1
12	KS 4000iE S -2-12	Ornament rubber sleeve	1
13	KS 4000iE S -2-13	Frame assy	1
14	KS 4000iE S -2-14	Handle hose connecter	1
15	KS 4000iE S -2-15	Hexagonal step bolt	2
16	KS 4000iE S -2-16	Hexagonal flange bolt	2
17	KS 4000iE S -2-17	Hexagonal flange bolt	1
18	KS 4000iE S -2-18	Inverter assy.	1
19	KS 4000iE S -2-19	Hexagonal flange bolt	2
20	KS 4000iE S -2-20	Handle pipe assy.	1
21	KS 4000iE S -2-21	Ornament shell	1

3. // // // // // // // //



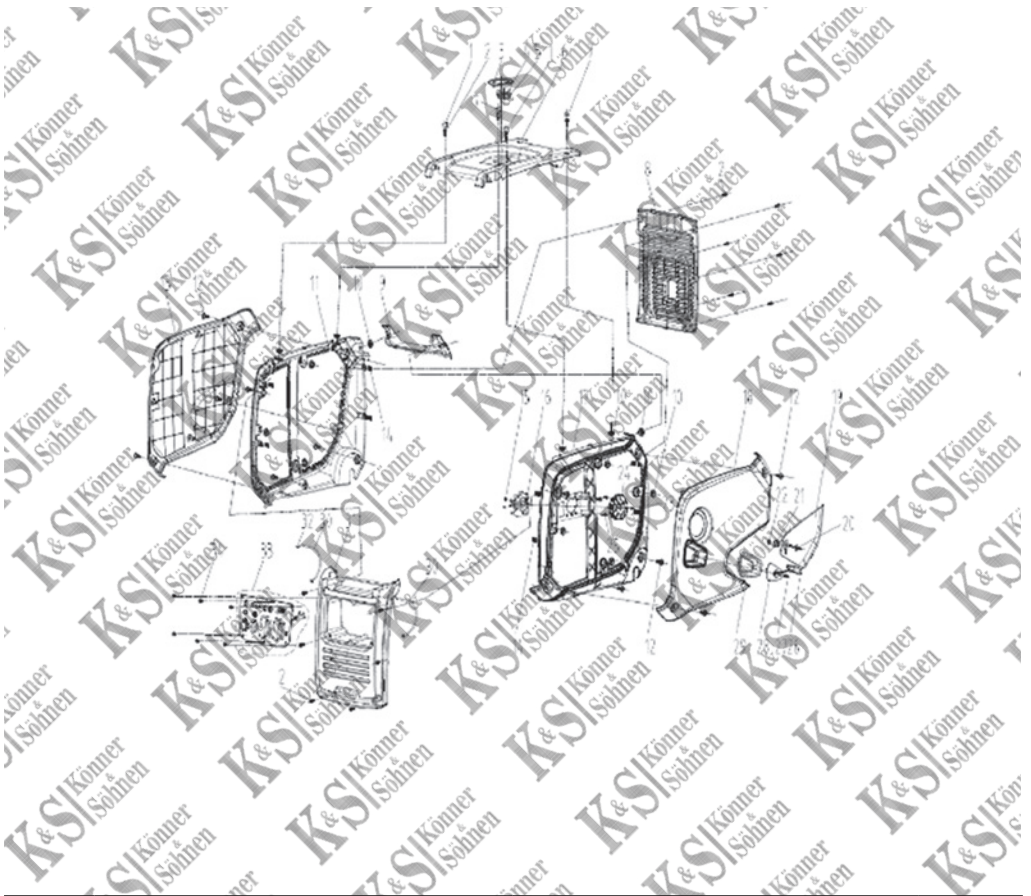
No	REF. No	DESCRIPTION	QTY
1	KS 4000iE S -3-01	Nut	1
2	KS 4000iE S -3-02	Square nut	
3	KS 4000iE S -3-03	Baseplate assy.	
4	KS 4000iE S -3-04	Ornament shell	
5	KS 4000iE S -3-05	Shock seat assy.,Frame	
6	KS 4000iE S -3-06	Hexagonal flange bolt	
7	KS 4000iE S -3-07	Hexagonal flange nut	

4. OIL TANK ASSY



No	REF. No	DESCRIPTION	QTY
1	KS 4000iE S -4-01	Oil cap assy	1
2	KS 4000iE S -4-02	Oil filter assy	1
3	KS 4000iE S -4-03	Oil tank assy	1
4	KS 4000iE S -4-04	Hexagonal flange bolt	4
5	KS 4000iE S -4-05	Gasket,Oil tank	4
6	KS 4000iE S -4-06	Bushing	4
7	KS 4000iE S -4-07	Shock rubber pad,Oil tank	4
8	KS 4000iE S -4-08	Clamp	1
9	KS 4000iE S -4-09	Oil pipe	1
10	KS 4000iE S -4-10	Oil leveler assy	1

5. ORNAMENT SHELL

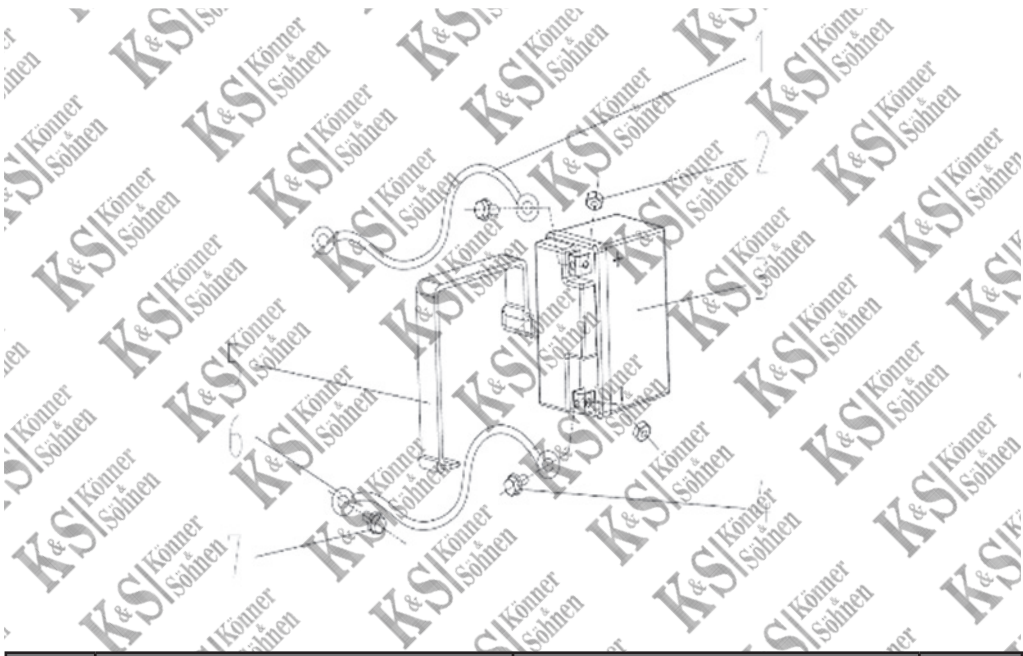


No	REF. No	DESCRIPTION	QTY
1	KS 4000iE S -5-01	Ornament rubber sleeve	2
2	KS 4000iE S -5-02	Hexagonal step bolt	16
3	KS 4000iE S -5-03	Oil inlet rubber sleeve	1
4	KS 4000iE S -5-04	Oil window	1

No	REF. No	DESCRIPTION	QTY
5	KS 4000iE S -5-05	Rubber pad,Oil window	1
6	KS 4000iE S -5-06	Cover assy.	1
7	KS 4000iE S -5-07	Ornament rubber sleeve	2
8	KS 4000iE S -5-08	Muffler tail cover	1
9	KS 4000iE S -5-09	Ornament shell	1
10	KS 4000iE S -5-10	Fixing rubber sleeve	9
11	KS 4000iE S -5-11	Left cover assy.	1
12	KS 4000iE S -5-12	Hexagonalal step bolt	9
13	KS 4000iE S -5-13	Left outer cover	1
14	KS 4000iE S -5-14	Nut	12
15	KS 4000iE S -5-15	Clamp	2
16	KS 4000iE S -5-16	Start switch assy.	1
17	KS 4000iE S -5-17	Right cover assy.	1
18	KS 4000iE S -5-18	Right cover	1
19	KS 4000iE S -5-19	Maintenance cover	1

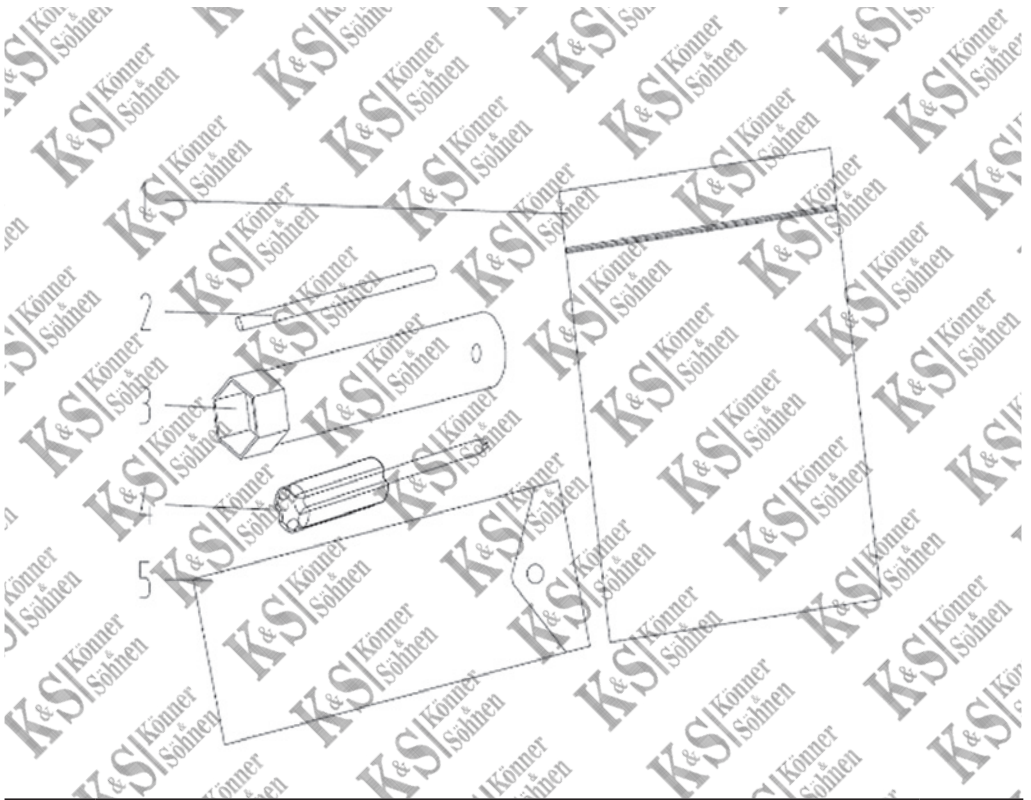
No	REF. No	DESCRIPTION	QTY
20	KS 4000iE S -5-20	Knob assy	1
21	KS 4000iE S -5-21	Stop piece assy	1
22	KS 4000iE S -5-22	Steel Hexagonal lock nut	1
23	KS 4000iE S -5-23	Cross recessed pan head screw	1
24	KS 4000iE S -5-24	Knob assy	1
25	KS 4000iE S -5-25	Cross recessed countersunk head tapping screw	3
26	KS 4000iE S -5-26	Recoil handle	1
27	KS 4000iE S -5-27	Cross recessed pan head screw	1
28	KS 4000iE S -5-28	Stop piece assy	1
29	KS 4000iE S -5-29	Handle ornament shell	1
30	KS 4000iE S -5-30	Oil pipe	2
31	KS 4000iE S -5-31	Panel seat assy	1
32	KS 4000iE S -5-32	Clamp,Oil pipe	4
33	KS 4000iE S -5-33	Control panel assy	1
34	KS 4000iE S -5-34	Cross recessed pan head screw	6

6. BATTERY ASSY



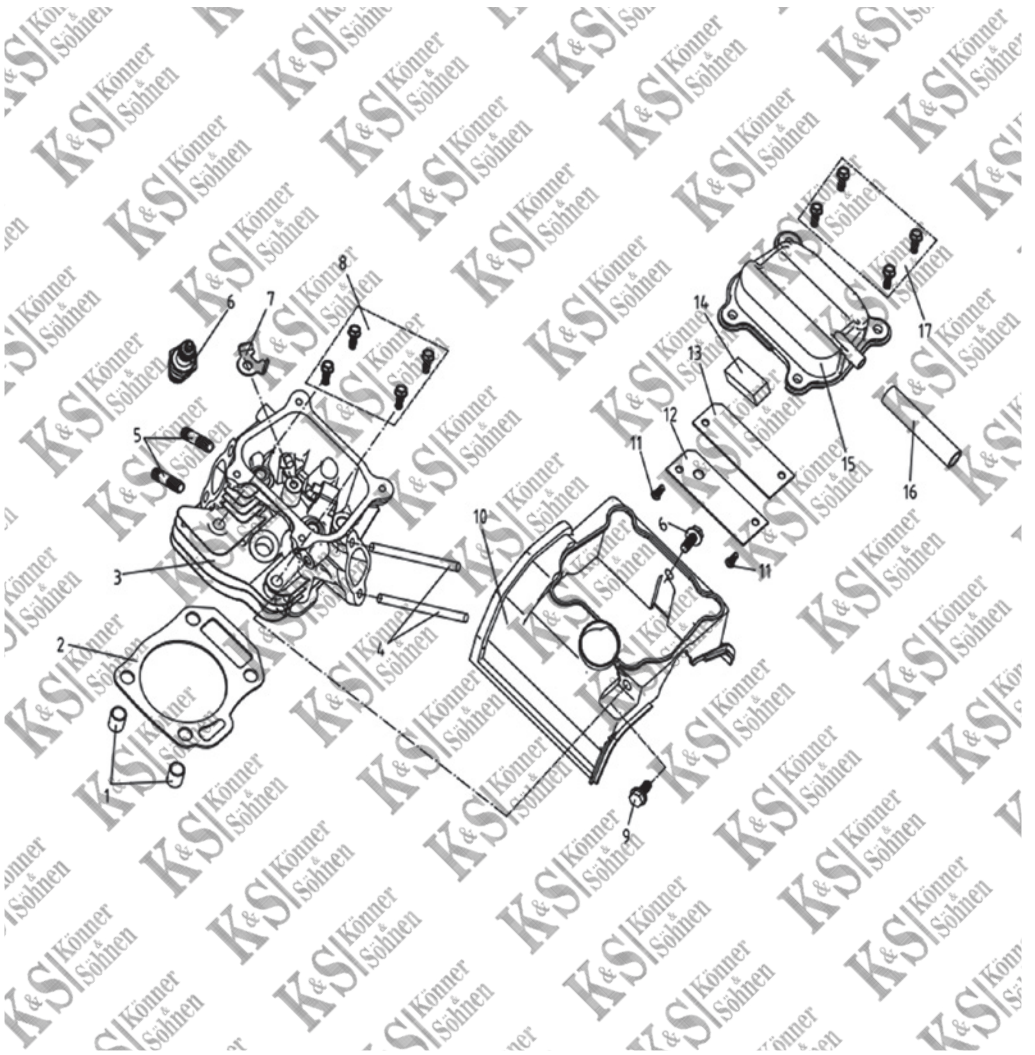
No	REF. No	DESCRIPTION	QTY
1	KS 4000iE S -6-01	Positive wire assy	1
2	KS 4000iE S -6-02	Hexagonal flange nut	2
3	KS 4000iE S -6-03	Battery assy	1
4	KS 4000iE S -6-04	Hexagonal bolt	2
5	KS 4000iE S -6-05	Battery band	1
6	KS 4000iE S -6-06	Negative wire assy	1
7	KS 4000iE S -6-07	Hexagonal flange bolt	1

7. TOOLS



No	REF. No	DESCRIPTION	QTY
1	KS 4000iE S -7-01	Plastic bag	1
2	KS 4000iE S -7-02	Extension bar	1
3	KS 4000iE S -7-03	Sleeve	1
4	KS 4000iE S -7-04	Screwdriver	1
5	KS 4000iE S -7-05	Tool bag	1

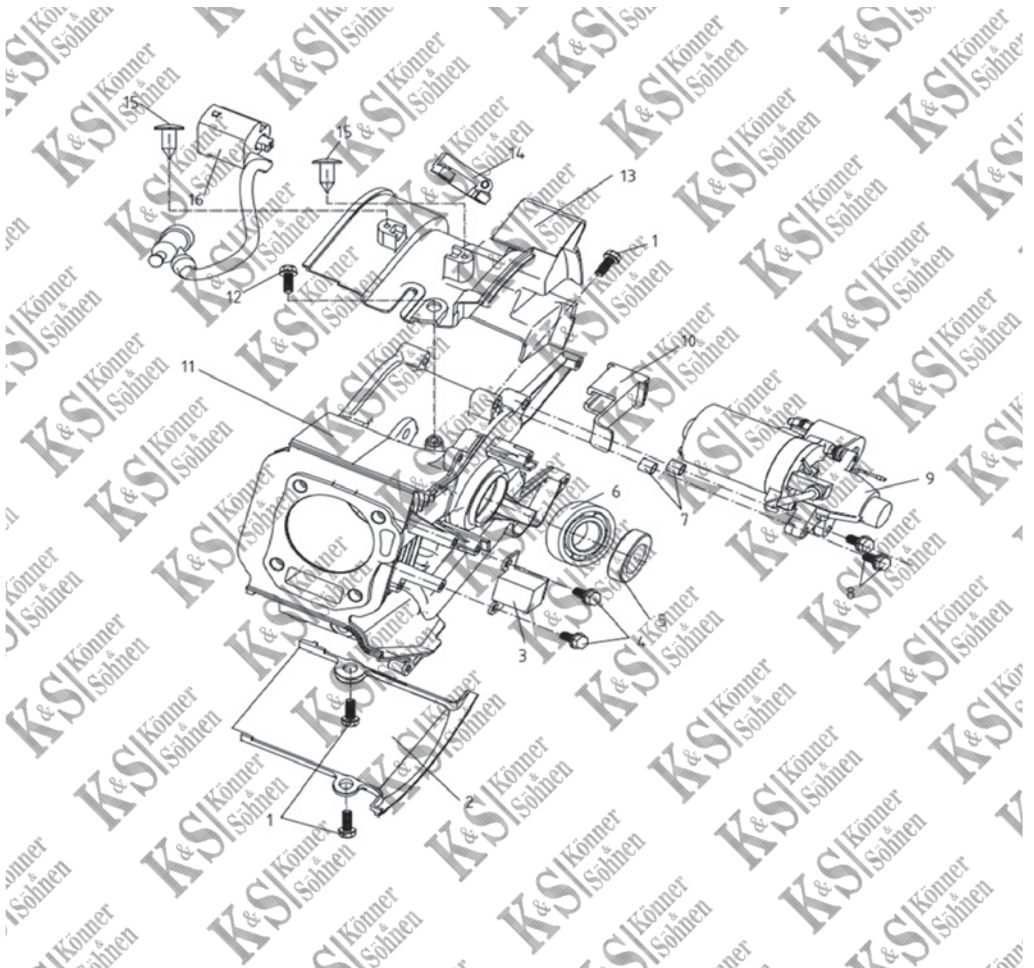
8. CYLINDER HEAD



No	REF. No	DESCRIPTION	QTY
1	KS 4000iE S -8-01	Pin , Dowel	2
2	KS 4000iE S -8-02	Cylinder Head Sealing Pad Combination	1

No	REF. No	DESCRIPTION	QTY
3	KS 4000iE S -8-03	Cylinder Head Combination	1
4	KS 4000iE S -8-04	Air Intake Double-headed Bolts	2
5	KS 4000iE S -8-05	Exhaust Double Headed Bolt	2
6	KS 4000iE S -8-06	Plug , Spark	1
7	KS 4000iE S -8-07	Rocker Shaft Baffle	1
8	KS 4000iE S -8-08	Bolt,Cylinder Head	4
9	KS 4000iE S -8-09	Bolt , Flange , 6×16	2
10	KS 4000iE S -8-10	Cylinder Head Cowl	1
11	KS 4000iE S -8-11	Bolt , Flange	2
12	KS 4000iE S -8-12	Breath Cover Plate	1
13	KS 4000iE S -8-13	Air Groove Cover Plate Gas- ket	1
14	KS 4000iE S -8-14	The Oil Filter	1
15	KS 4000iE S -8-15	Cover Comp Head	1
16	KS 4000iE S -8-16	Waste Trachea	1
17	KS 4000iE S -8-17	Bolt , Flange , 6×20	4

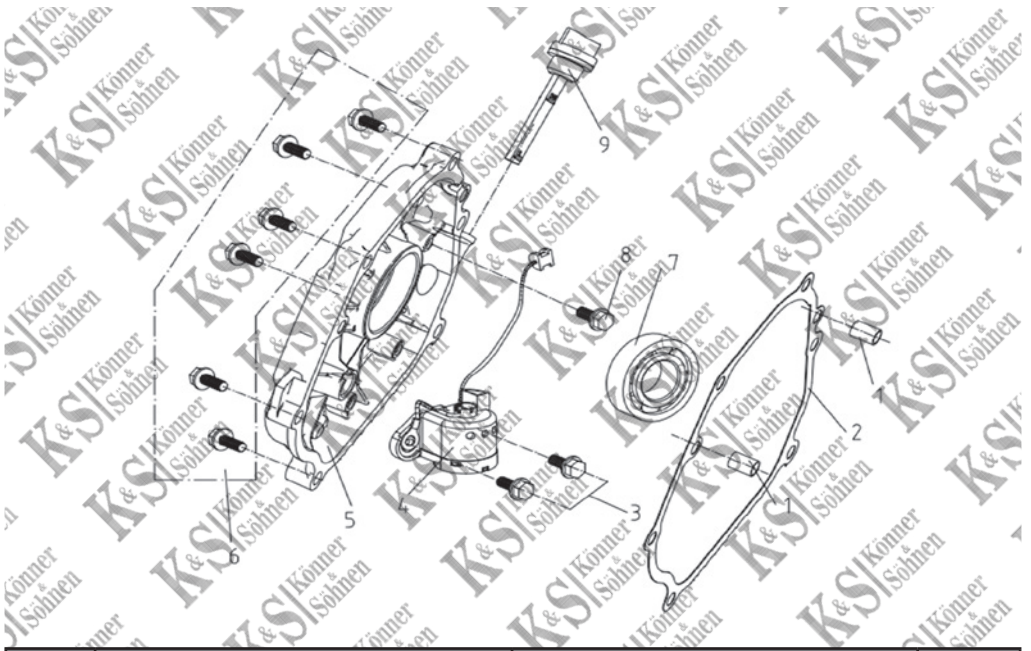
9. CRANK CASE



No	REF. No	DESCRIPTION	QTY
1	KS 4000iE S -9-01	Bolt , Flange , 6x10	3
2	KS 4000iE S -9-02	Air Deflector, Box	1
3	KS 4000iE S -9-03	Trigger Combination	1

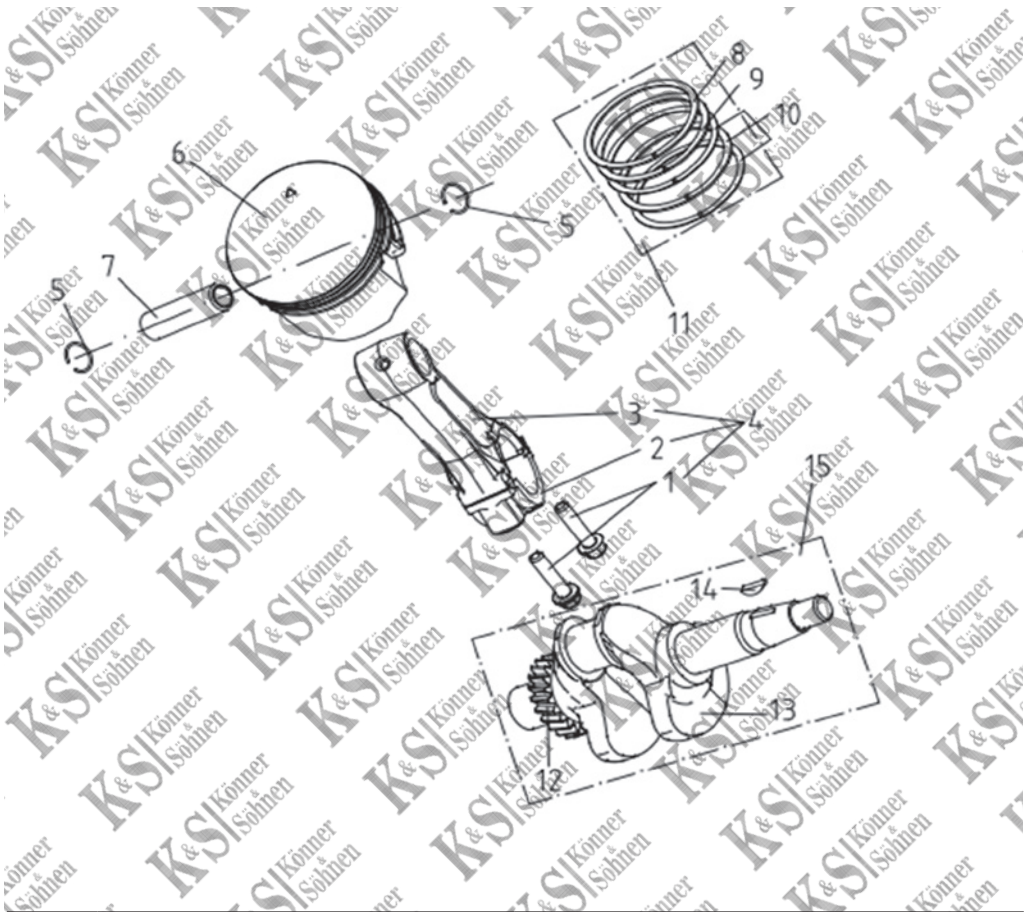
No	REF. No	DESCRIPTION	QTY
4	KS 4000iE S -9-04	Bolt , Flange , 6×12	2
5	KS 4000iE S -9-05	Oil Seal	1
6	KS 4000iE S -9-06	Bearing , Radlal Ball	1
7	KS 4000iE S -9-07	Pin , Dowel	2
8	KS 4000iE S -9-08	Bolt , Flange , 6×25	2
9	KS 4000iE S -9-09	Starter Motor	1
10	KS 4000iE S -9-10	Motor Outlet Baffle	1
11	KS 4000iE S -9-11	Crankshaft Box Body Combination	1
12	KS 4000iE S -9-12	Bolt , Flange , 6×10	1
	KS 4000iE S -9	Bolt , Flange , 6×30	1
13	KS 4000iE S -9-13	Air Deflector, Box	1
	KS 4000iE S -9	Air Deflector, Box	1
14	KS 4000iE S -9-14	Installation Bracket For Igniter	1
15	KS 4000iE S -9-15	Tapping Screw	2
16	KS 4000iE S -9-16	Firewire Ring Parts	1

10. CRANK CASE COVER



No	REF. No	DESCRIPTION	QTY
1	KS 4000iE S -10-01	Pin , Dowel	2
2	KS 4000iE S -10-02	Crankcase Sealing Pad	1
3	KS 4000iE S -10-03	Bolt , Flange , 6x16	2
4	KS 4000iE S -10-04	Oil Sensor	1
5	KS 4000iE S -10-05	Crankcase Cover	1
6	KS 4000iE S -10-06	Bolt , Flange , 8x32	6
7	KS 4000iE S -10-07	Bearing , Radlal Ball	1
8	KS 4000iE S -10-08	Bolt , Flange , 6x10	1
9	KS 4000iE S -10-09	Oil Ruler Combination	1

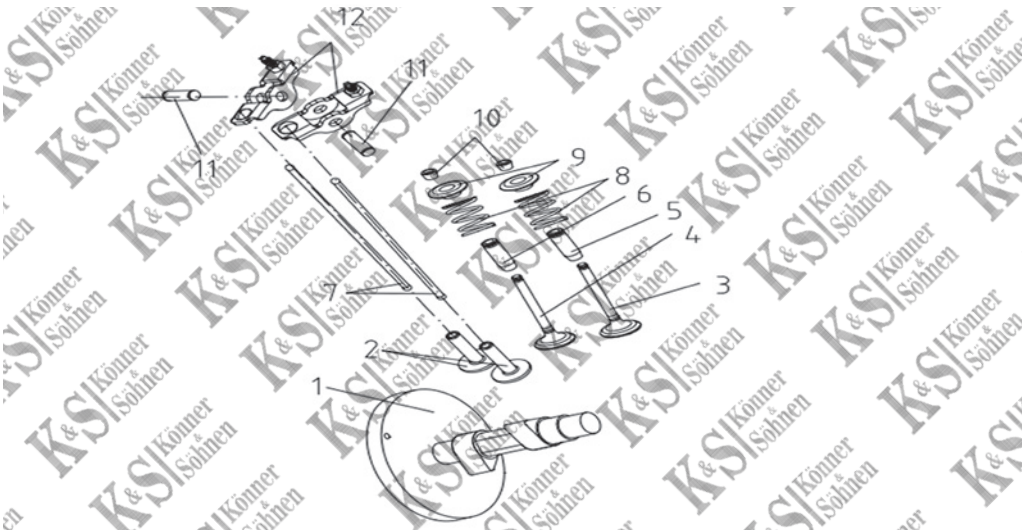
11. CRANKSHAFT/PISTON



No	REF. No	DESCRIPTION	QTY
1	KS 4000iE S -11-01	Connecting Rod Bolt	2
2	KS 4000iE S -11-02	Cap Conrod	1
3	KS 4000iE S -11-03	Rod, Connecting	1
4	KS 4000iE S -11-04	Connecting Rod	1
5	KS 4000iE S -11-05	Clip Piston Pin	2

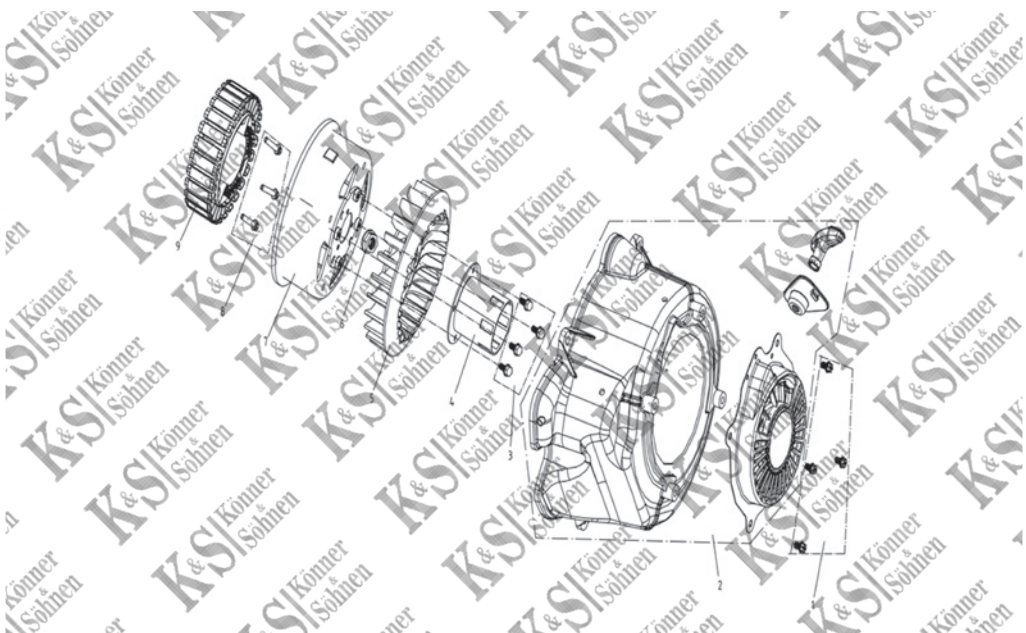
No	REF. No	DESCRIPTION	QTY
6	KS 4000iE S -11-06	Piston	1
7	KS 4000iE S -11-07	Pin Wrist	1
8	KS 4000iE S -11-08	Ring Top	1
9	KS 4000iE S -11-09	Ring Compression	1
10	KS 4000iE S -11-10	Ring Assy, Oil	1
11	KS 4000iE S -11-11	Piston Ring	1
12	KS 4000iE S -11-12	Gear, Timing	1
13	KS 4000iE S -11-13	Crankshaft	1
14	KS 4000iE S -11-14	Key	1
15	KS 4000iE S -11-15	Crankshaft Combination	1

12. GAS DISTRIBUTION ADJUSTMENT



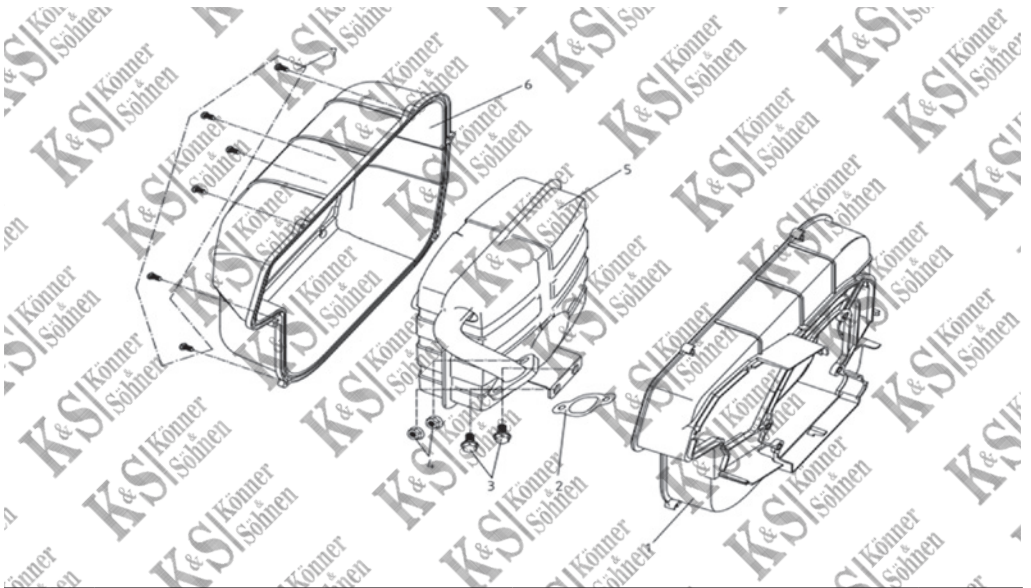
No	REF. No	DESCRIPTION	QTY
1	KS 4000iE S -12-01	Camshaft Assy	1
2	KS 4000iE S -12-02	Tappet, Valve	2
3	KS 4000iE S -12-03	Exhaust Valve	1
4	KS 4000iE S -12-04	Valve Intake	1
5	KS 4000iE S -12-05	Intake Valve Guide	1
6	KS 4000iE S -12-06	Exhaust Duct	1
7	KS 4000iE S -12-07	Push Rod	2
8	KS 4000iE S -12-08	Valve Spring	2
9	KS 4000iE S -12-09	Seat Valve	2
10	KS 4000iE S -12-10	Valve Key	4
11	KS 4000iE S -12-11	Valve Rocker Arm Shaft	2
12	KS 4000iE S -12-12	Rocker Arm,Assy	2

13. STARTER SUBASSEMBLY AND FLYWHEEL



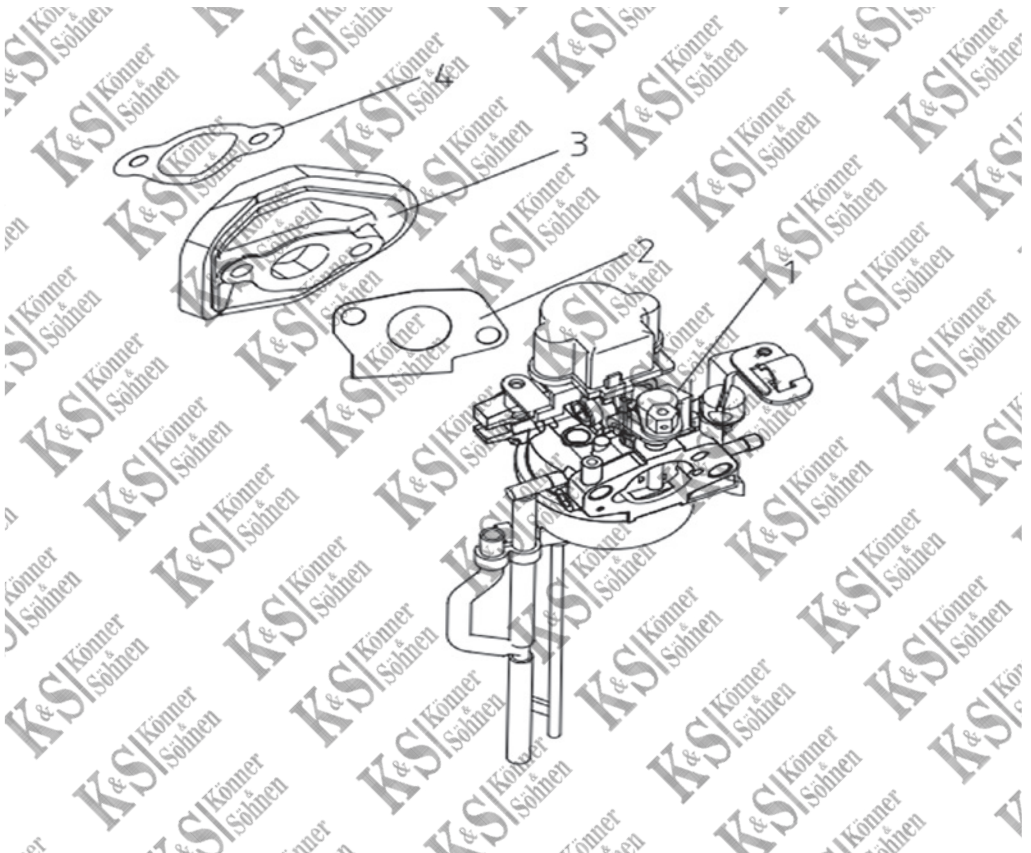
No	REF. No	DESCRIPTION	QTY
1	KS 4000iE S -13-01	Bolt , Flange 6×14	4
2	KS 4000iE S -13-02	Manual Starting Pull Plate Assembly	1
3	KS 4000iE S -13-03	Bolt , Flange 6×16	4
4	KS 4000iE S -13-04	Start Cup	1
5	KS 4000iE S -13-05	vane wheel	1
6	KS 4000iE S -13-06	Nut, Flywheel	1
7	KS 4000iE S -13-07	Motor Rotor	1
8	KS 4000iE S -13-08	Bolt,Cylinder Head	3
9	KS 4000iE S -13-09	Motor Stator	1

14. MUFFLER



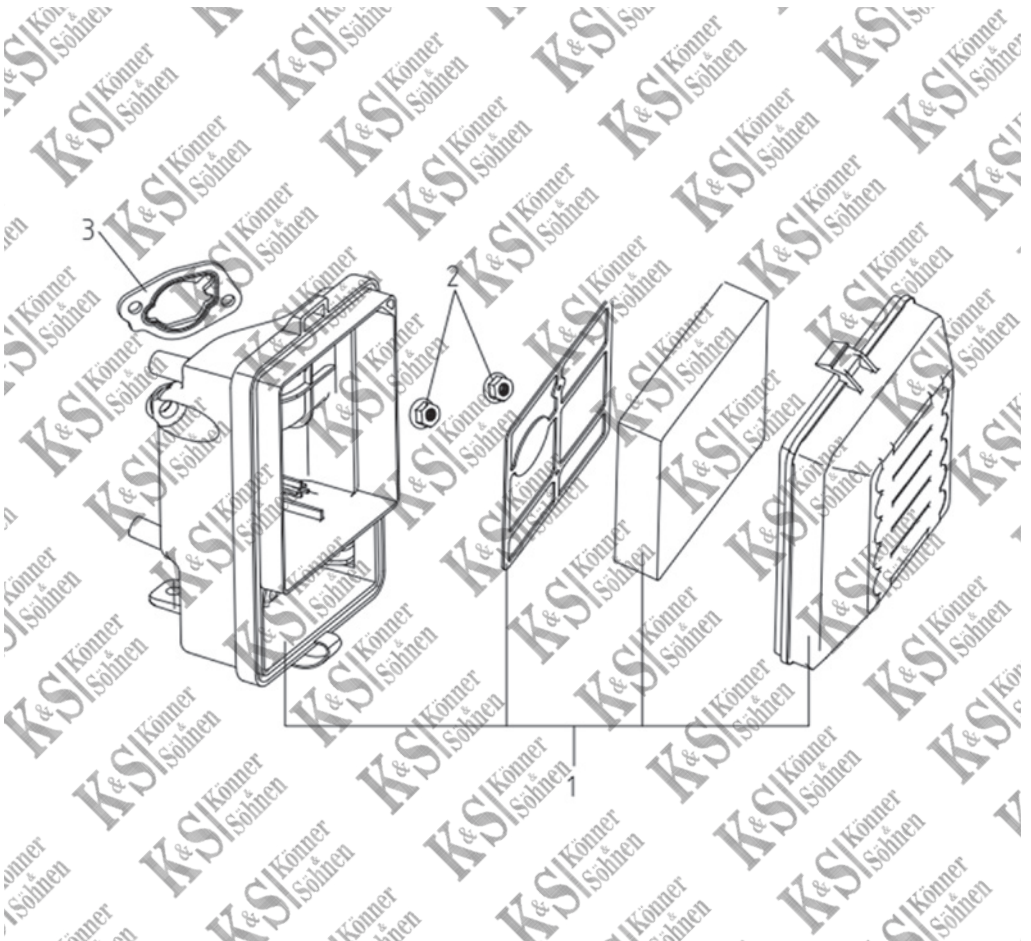
No	REF. No	DESCRIPTION	QTY
1	KS 4000iE S -14-01	Muffler Front Shield	1
2	KS 4000iE S -14-02	Exhaust Sealing Pad	1
3	KS 4000iE S -14-03	Bolt , Flange , 6x12	2
4	KS 4000iE S -14-04	Hex Nut	2
5	KS 4000iE S -14-05	Muffler Assy	1
6	KS 4000iE S -14-06	Muffler Rear Shield	2
7	KS 4000iE S -14-07	Blot	6

15. CARBURETOR



No	REF. No	DESCRIPTION	QTY
1	KS 4000iE S -15-01	Carburetor	1
2	KS 4000iE S -15-02	Carburetor Insulator Sealing Pad	1
3	KS 4000iE S -15-03	Spacer, Carburetor	1
4	KS 4000iE S -15-04	Air Intake Sealing Pad	1

16. AIR CLEANER



No	REF. No	DESCRIPTION	QTY
1	KS 4000iE S -16-01	Air Cleaner	1
2	KS 4000iE S -16-02	Hex Nut	2
3	KS 4000iE S -16-03	Air Filter Gasket	1

CONTACTS

Germany

ks-power.de

info@dimaxgroup.de

Poland

ks-power.pl

info.pl@dimaxgroup.de

Ukraine

ks-power.com.ua

sales@ks-power.com.ua

Russia

ks-power.ru

info@ks-power.ru

TRADITIONELLE DEUTSCHE QUALITÄT